



DEFENDER™3000

Bench Scales



Bench Scales for Basic Industrial Applications

The Defender 3000 Series bench scales are ideal for general weighing, simple counting and checkweighing applications in production, packaging, warehouse, inventory, shipping and receiving areas. The Defender 3000 Series features a simple, yet rugged tubular-frame base design and indicators with tactile keys, multicolor backlit LCD display, AC or battery operation and flexible mounting capabilities.

Unique Features:

- Results are clearly shown using the large, bright backlit LCD display. In Checkweighing mode display changes color (yellow/green/red) to alert when within the target weight range.
- This tough industrial scale features a 304-stainless steel platform, powder-coated steel tubular frame, column and IP65 aluminum load cell. Indicator features a durable ABS housing and powder coated steel mounting bracket, IP54 protection rate with the optional dust cover.
- Features software for Parts Counting, Checkweighing and Totalization. Includes RS232 with optional USB Device or Ethernet for printing or data connectivity. Approved models are equipped with EasyConnect™ solution.

DEFENDER™3000 Bench Scales

Specifications

Column Mount Bench Scale

| Model | i-D33P15B1R1 | i-D33P30B1R1 | i-D33P60B1R1 | i-D33P60B1L2 | i-D33P150B1L2 |
|---|--|----------------|----------------|---|-----------------|
| Capacity x Default Readability | 15 kg x 2 g | 30 kg x 5 g | 60 kg x 10 g | 60 kg x 10 g | 150 kg x 20 g |
| Maximum Displayed Resolution | 1:7,500 | 1:6,000 | | | 1:7,500 |
| Linearity/Repeatability | ±1d | | | | |
| Certified Model | i-D33P15B1R1-M | i-D33P30B1R1-M | i-D33P60B1R1-M | i-D33P60B1L2-M | i-D33P150B1L2-M |
| Capacity x Certified/Approved Readability | 15 kg x 5 g | 30 kg x 10 g | 60 kg x 20 g | | 150 kg x 50 g |
| Maximum Certified Resolution | 1:3,000 | | | | |
| Indicator | ABS indicator | | | | |
| Column | 330 mm powder-coated steel | | | 680 mm powder-coated steel | |
| Base Construction | Stainless steel removable weighing platform, powder-coated steel base construction, silicon sealed IP65 aluminum loadcell against moisture | | | | |
| Safe Overload Capacity | 150% of maximum capacity | | | | |
| Stabilization Time | Within 1 second | | | | |
| Operating Temperature Range | -10°C to 40°C | | | | |
| Scale Dimensions (A x B x C x D x E x F) | 355 x 305 x 121.8 x 75 x 541.6 x 489.1 mm | | | 550 x 420 x 134 x 80 x 896.1 x 685.6 mm | |
| Shipping Dimensions (L x W x H) | 642 x 497 x 212 mm M models: 495 x 455 x 373 mm | | | 857 x 564 x 225 mm M models: 1022 x 687 x 247 mm | |
| Approx. Net Weight | 10.4 kg | | | 16.9 kg | |
| Approx. Shipping Weight | 13.4 kg | | | 21 kg | |

| Model | i-D33P150B1X2 | i-D33P300B1X2 | i-D33P300B1V3 | i-D33P600B1V3 |
|---|--|-----------------|--|-----------------|
| Capacity x Default Readability | 150 kg x 20 g | 300 kg x 50 g | 300 kg x 50 g | 600 kg x 100 g |
| Maximum Displayed Resolution | 1:7,500 | 1:6,000 | | |
| Linearity/Repeatability | ±1d | | | |
| Certified Model | i-D33P150B1X2-M | i-D33P300B1X2-M | i-D33P300B1V3-M | i-D33P600B1V3-M |
| Capacity x Certified/Approved Readability | 150 kg x 50 g | 300 kg x 100 g | | 600 kg x 200 g |
| Maximum Certified Resolution | 1:3,000 | | | |
| Indicator | ABS indicator | | | |
| Column | 680 mm powder-coated steel | | 980 mm powder-coated steel | |
| Base Construction | Stainless steel removable weighing platform, powder-coated steel base construction, silicon sealed IP65 aluminum loadcell against moisture | | | |
| Safe Overload Capacity | 150% of maximum capacity | | | |
| Stabilization Time | Within 1 second | | | |
| Operating Temperature Range | -10°C to 40°C | | | |
| Scale Dimensions (A x B x C x D x E x F) | 650 x 500 x 150 x 90 x 894.6 x 784.6 mm | | 800 x 600 x 154.1 x 90 x 1194.6 x 933.1 mm | |
| Shipping Dimensions (L x W x H) | 1022 x 687 x 247 mm M models: 1022 x 687 x 247 mm | | 1165 x 780 x 235 mm M models: 1175 x 790 x 245 mm | |
| Approx. Net Weight | 27 kg | | 45.5 kg | |
| Approx. Shipping Weight | 30.5 kg | | 49.5 kg | |

DEFENDER™3000 Bench Scales

Specifications

Front Mount Bench Scale

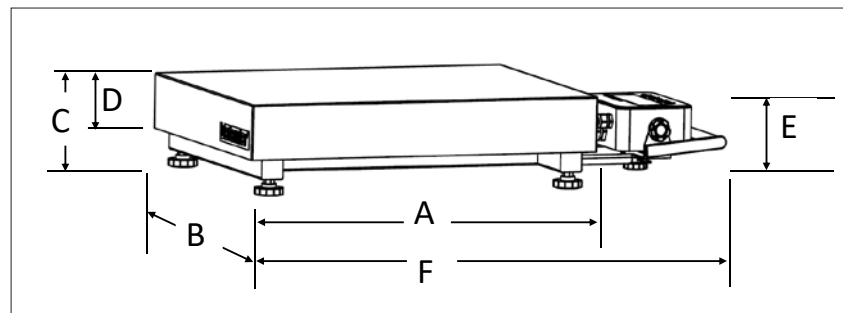
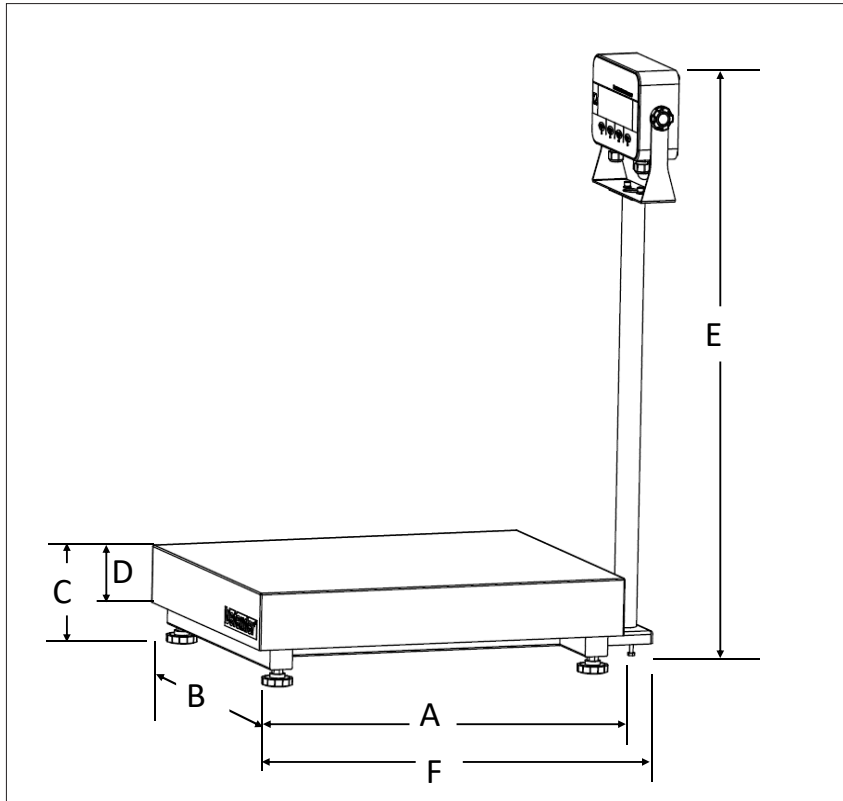
| Model | i-D33P15B1R5 | i-D33P30B1R5 | i-D33P60B1R5 | i-D33P60B1L5 | i-D33P150B1L5 | i-D33P150B1X5 | i-D33P300B1X5 |
|--|--|-----------------------|-----------------------|--|------------------------|-------------------------------------|------------------------|
| Capacity x Default Readability | 15 kg x 2 g | 30 kg x 5 g | 60 kg x 10 g | 60 kg x 10 g | 150 kg x 20 g | 150 kg x 20 g | 300 kg x 50 g |
| Maximum Displayed Resolution | 1:7,500 | 1:6,000 | | 1:7,500 | | 1:6,000 | |
| Linearity/ Repeatability | ±1d | | | | | | |
| Certified Model | i-D33P15B1R5-M | i-D33P30B1R5-M | i-D33P60B1R5-M | i-D33P60B1L5-M | i-D33P150B1L5-M | i-D33P150B1X5-M | i-D33P300B1X5-M |
| Capacity x Certified/ Approved Readability | 15 kg x 5 g | 30 kg x 10 g | 60 kg x 20 g | | 150 kg x 50 g | | 300 kg x 100 g |
| Maximum Certified Resolution | 1:3,000 | | | | | | |
| Indicator | ABS indicator | | | | | | |
| Column | 304 stainless steel front-mount bracket with handle | | | | | | |
| Base Construction | Stainless steel removable weighing platform, powder-coated steel base construction, silicon sealed IP65 aluminum loadcell against moisture | | | | | | |
| Safe Overload Capacity | 150% of maximum capacity | | | | | | |
| Stabilization Time | Within 1 second | | | | | | |
| Operating Temperature Range | -10°C to 40°C | | | | | | |
| Scale Dimensions (A x B x C x D x E x F) | 355 x 305 x 121.8 x 75 x 130 x 645.5 mm | | | 550 x 420 x 134 x 80 x 132.9 x 842 mm | | 650 x 500 x 150 x 90 x 133 x 941 mm | |
| Shipping Dimensions (L x W x H) | 857 x 564 x 225 mm M models: 495 x 455 x 373 mm | | | 1022 x 687 x 247 mm M models: 1022 x 687 x 247 mm | | | |
| Approx. Net Weight | 9.6 kg | | 15.5 kg | | 25.7 kg | | |
| Approx. Shipping Weight | 12 kg | | 19.6 kg | | 29.2 kg | | |

Indicators

| Model | i-DT33P |
|--------------------|--|
| Construction | ABS housing, painted steel mounting bracket |
| Protection | IP54 (with optional dust cover) |
| Weighing Units | Kilogram, Gram, Pound, Ounce, Pound: Ounce (Kilogram, Gram only for M models) |
| Application Modes | Weighing, Parts Counting, Checkweighing and Totalization |
| Display | 6-digit, 7-segment LCD display with multi-color backlight, 45 mm high digits |
| Check Indicator | 3 Color (red, green, yellow) backlight |
| Keyboard | 4 function keys |
| Auto-zero Tracking | Off, 0.5 d, 1 d or 3 d |
| Zeroing Range | 2% or 100% of capacity |
| Interface | RS232 included |
| | Optional USB, Ethernet |
| Power | 100-240 VAC / 50/60 Hz Universal Power Supply or C cell battery (Not included) |
| | Optional Rechargeable battery |
| Battery Life | Up to 360 hours (C cell battery) or 100 hours continuous use with optional rechargeable battery with backlight off |
| Calibration | Zero, Span or 3 point-Linear |

DEFENDER™3000 Bench Scales

Outline Dimensions



Accessories

| | |
|---------------------------------------|----------|
| Ethernet Kit..... | 30429666 |
| USB Device Kit i-DT33..... | 30699120 |
| Dust Cover (5) i-DT33..... | 30699121 |
| Rechargeable Battery Kit i-DT33P..... | 30699122 |
| Wheel Kit, Defender Series..... | 30372146 |
| Wheel Kit SST Defender Series..... | 30616409 |
| Carrying Handle Kit i-DT33..... | 30696600 |
| SF40A Printer..... | 30064202 |
| Cable RS232 i-DT33P..... | 80500525 |

Column Kit for i-DT33 indicator:

| | |
|------------------------------|----------|
| Column Kit, 330 mm, SST..... | 30696595 |
| Column Kit, 680 mm, SST..... | 30696596 |
| Column Kit, 330 mm, CS..... | 30696597 |
| Column Kit, 680 mm, CS..... | 30696598 |
| Column Kit, 980 mm, CS..... | 30696599 |

Compliance

- **Metrology:** EN45501 (Scale: T12209; Indicator: TC12208; Load Cell: OIML R60/2017-A-NL1-21.19 / TC12115; R60/2017-A-NL1-21.20 / TC12116; R60/2017-A-NL1-21.21 / TC12117; R60/2017-A-NL1-21.22 / TC12114).
- **Product Safety:** IEC/EN 61010-1; CAN/CSA C22.2 61010-1; UL61010-1
- **Electromagnetic Compatibility:** IEC/EN 61326-1 Class B, basic environments; FCC Part 15 Class A; Canada ICES-003 Class A
- **Ingress Protection:** IEC 60529 – IP54 (for indicator), IEC 60529 – IP65 (for load cell)
- **Compliance Marks:** CE, UKCA
- **Other:** WEEE, RoHS



WolfLabs

Pricing on any accessories shown can be found by keying the part number into the search box on our website.

The specifications listed in this brochure are subject to change by the manufacturer and therefore cannot be guaranteed to be correct. If there are aspects of the specification that must be guaranteed, please provide these to our sales team so that details can be confirmed.

www.wolflabs.co.uk

Tel : 01759 301142

Fax : 01759 301143

sales@wolflabs.co.uk

Please contact us if this literature doesn't answer all your questions.